

OPERATING INSTRUCTIONS

Scrubber - Washing Dryer Machine

Mod. 500BTSL

INDEX

=====

1. INTRODUCTION	Page 2
Packing	Page 2
Batteries connection	Page 3
Technical data	Page 3
Approvals	Page 3
Safety rules	Page 3
How to move the machine	Page 3
Warranty	Page 4
2. Description of SALLAS	Page 5
3. Sweeper-Polisher	Page 6
3.1 Details of hood	Page 6
4. Washer-Dryer	Page 7
5. Dry vacuum cleaner	Page 8
6. Wet vacuum cleaner	Page 8
7. Battery group	Page 8
8. Replacement of battery group	Page 9
9. Recharging batteries	Page 9
10. Regulation of pressure on brushes	Page 10
11. Substitution of brushes	Page 10
12. Cautions	Page 11
13. Maintenance	Page 11
14. Accessories	Page 12
15. Troubleshooting	Page 13

1. INTRODUCTION

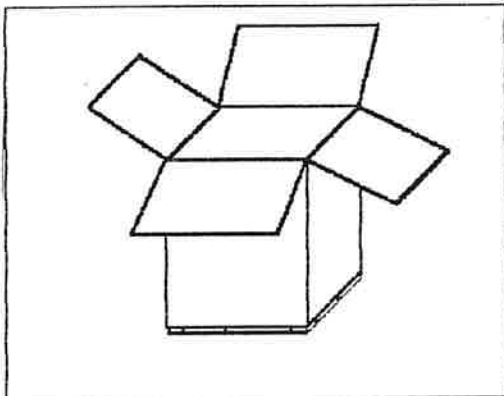
=====

Congratulation for your choice. You bought a multipurpose Salla machine that allows you to clean any kind of floors. You can scrub, sweep, suction dust and liquids, wash and dry using only this machine. Furthermore the suction group can be used like a simple dry and wet vacuum cleaner.

Carefully read the following instruction and cautions since they give you important information for a correct use of your Salla machine and for a perfect maintenance.

1.2 PACKING

=====



After having removed the packing check that the machine inside is in good conditions and it has not been damaged during transport. In case of doubt, do not attempt to rectify or use the machine.

Seek advise from skilled technicians or Salla.

Remember that paking materials must not become toys for children.

1.3 BATTERY CONNECTION

=====

Joint the plug of the battery box to the connector on the machine.

1.4 TECHNICAL DATA

=====

MAX500BT 350BTSL2

TENSION	Volt	24	24
SUCTION MOTOR POWER	W	550	550
BRUSHES MOTOR POWER	W	400	400
BRUSHES	n°	2	2
SPEED BRUSHES	g/1°	1000	1000
MAX SUCTION CAPACITY	lt.	48	25
MAX CLEAN WATER CAPACITY	lt.	39	13
CLEANING WIDTH	mm.	500	350
SQUEEGEE	mm.	720	700
LENGHT OF THE MACHINE	mm.	1060	1058
WIDTH OF THE MACHINE (without squeegee)	mm.	610	470
HEIGHT OF THE MACHINE	mm.	980	1000
MACHINE WEIGHT	kg.	85	50
BATTERIES WEIGHT	kg.	45	40
SWEEPER EFFICIENCY	mq/h	1800	1400
WASHER-DRYER EFFICIENCY	mq/h	2000	1250

1.5 APPROVALS

=====



SALLA machine has been manufactured to comply with the legal requirements in force relating to radio interferences. It has obtained CE approval.

1.6 SAFETY RULES

=====



Refer to the manual before performing any operations.

Stop always the machine, before doing change of brushes, spare parts, accessories, batteries.

The operations maintenance must be carried out with the machine off and the battery disconnected.

1.7 ADVISE FOR TRANSPORT

=====

To make the machine lighter it's enough to take away the suction head, the tanks of clean water and dirty water, the group of batteries.

1.8 WARRANTY

=====

Your SALLA machine is manufactured with the highest quality materials and components, on which we grant 24 months warranty and 12 months warranty for batteries, from the date of purchase.

We'll replace or repair, at your opinion, all defective parts of material or workmanship, free of charge but freight.

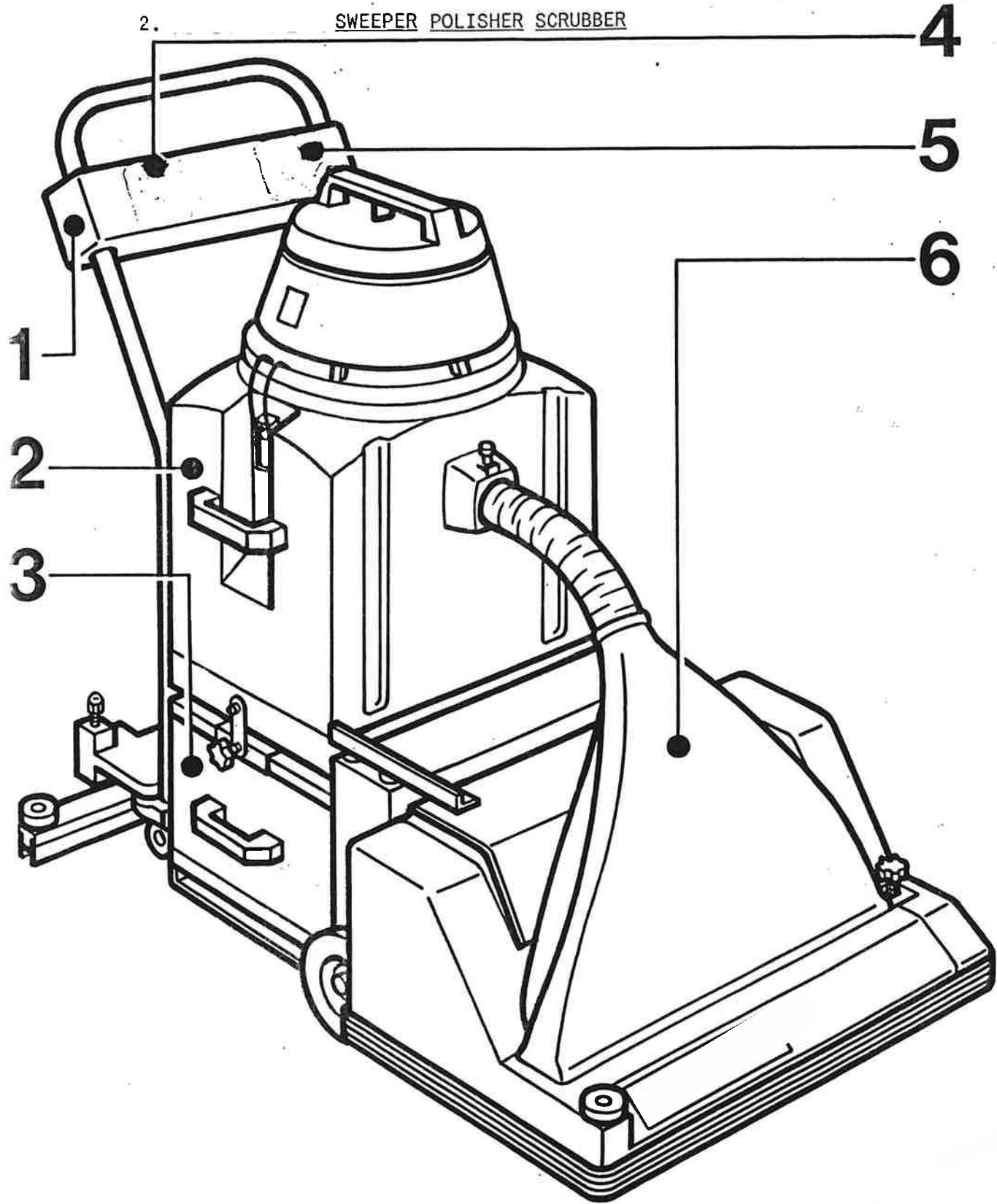
We shall not be liable under this warranty for any fault in the machine arising from negligence and/or misuse of the machine and/or use not in conformity with instructions and/or use of spare parts not supplied and recommended by SALLA, or improper detergents.

Excluded from the warranty are labour and parts which need replacements due to normal wear and tear such as brusche, belts, rubbers blades, filters...

Failure to observe the manufacturer's instructions will invalidate the warranty.

Improvements can change the products without notice.

SWEeper POLISHER SCRUBBER

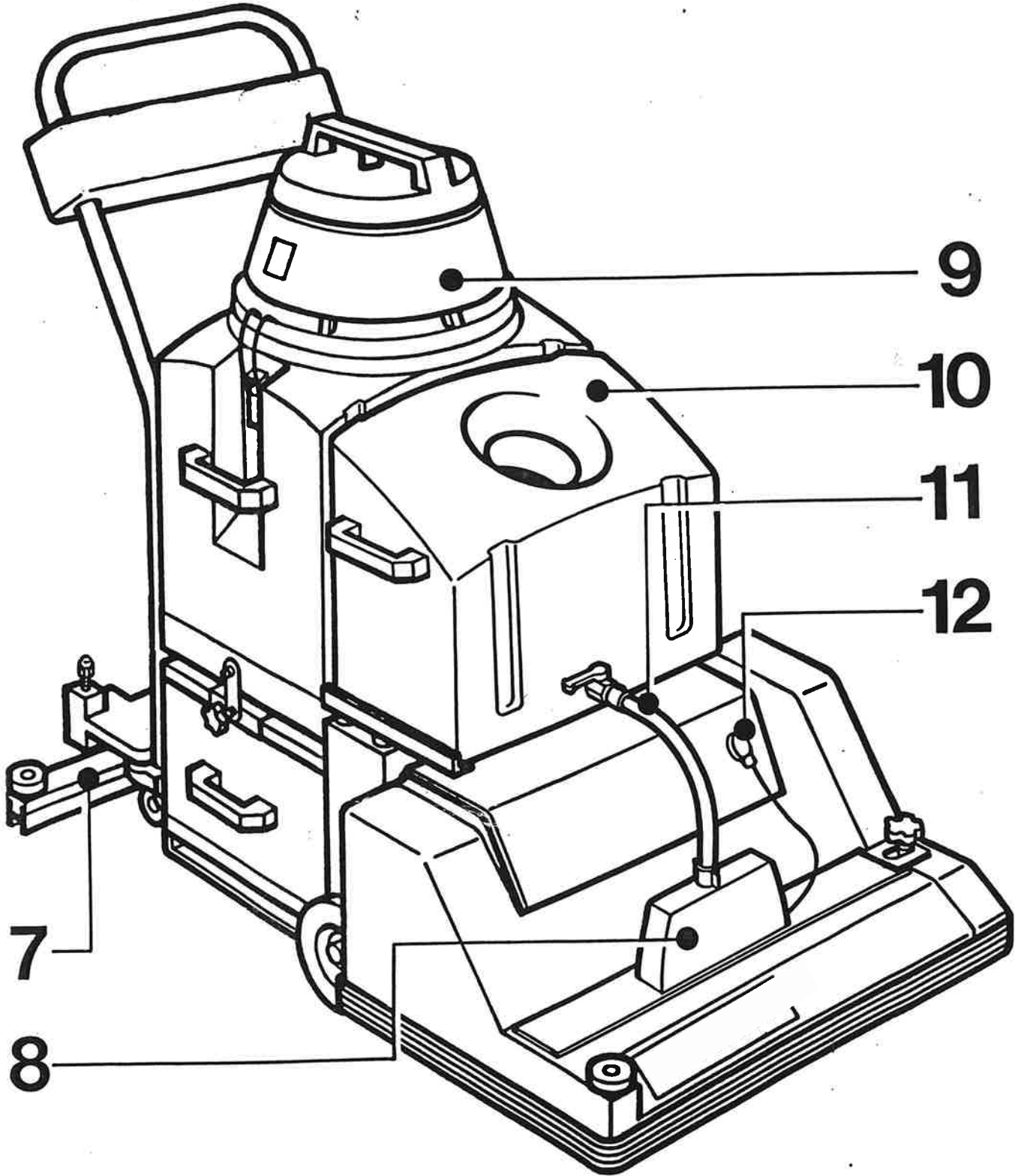


- 1. CONTROL BOX
- 2. VACUUM TANK
- 3. BATTERIES GROUP

- 4. SUCTION MOTOR SWITCH
- 5. BRUSHES MOTOR SWITCH
- 6. SUCTION HOOD.

2.

FLOOR WASHER DRYER

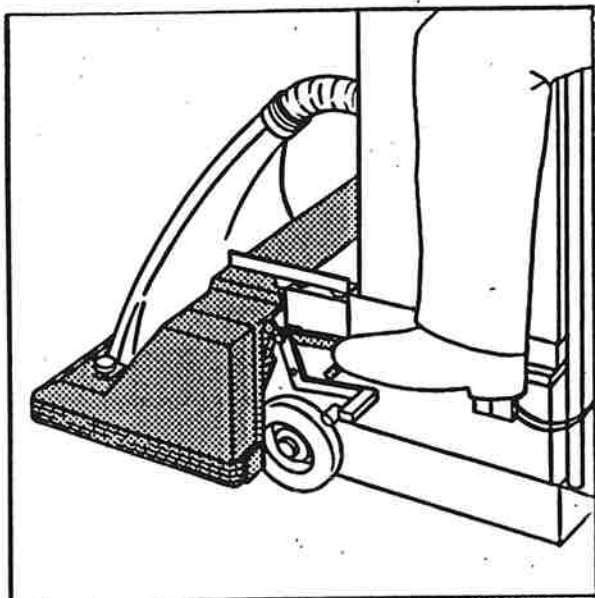


- 7. SQUEEGEE
- 8. ELECTROVALVE
- 9. SUCTION HEAD

- 10. SHAMPOOING TANK
- 11. WATER TUBE
- 12. PLUG OF ELECTROVALVE

3. SWEEPER, POLISHER, SCRUBBER
(from washer-drier)

=====



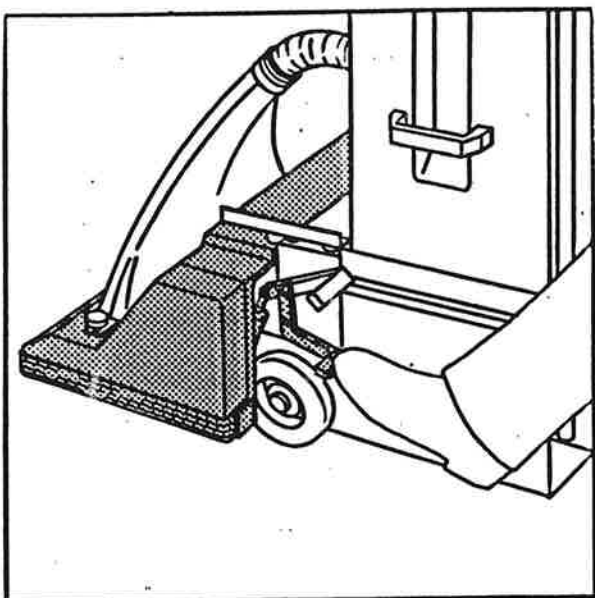
STOP MOTORS

Release the two clamps and remove the suction head. Disconnect the water tap, unscrew the black handle and take away the distributor and the basin. Empty and clean the big tank from material inside.

Fit the cloth filter into the big tank, turn the tank with the pipe union in front of the machine; set the suction hood on the brushes (where the distributor was placed before) and fix it by the black handle.

Fit the sleeve of the hood into the pipe union of the big tank. Replace the suction head and hook it.

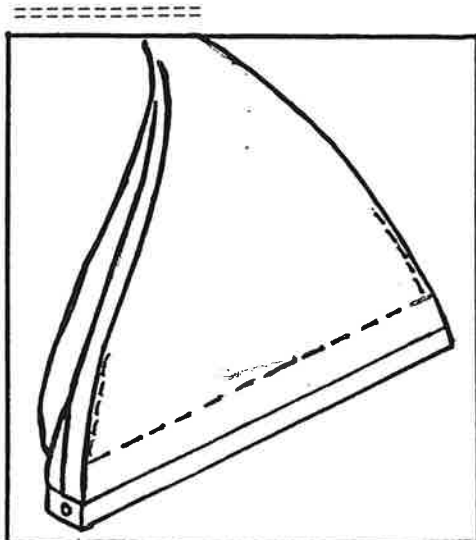
Plug the machine in. On the control box switch on the vacuum and brushes motors. Unhook the pedal that allows the group of brushes to adhere to the soil. Push the machine forward.



In case you stop for a long time, do not leave the brushes turning on the floor. It is better to hook the group of brushes let them turning freely, up from the floor.

If floors are very dusty, you should clean the filter each time you empty the tank.

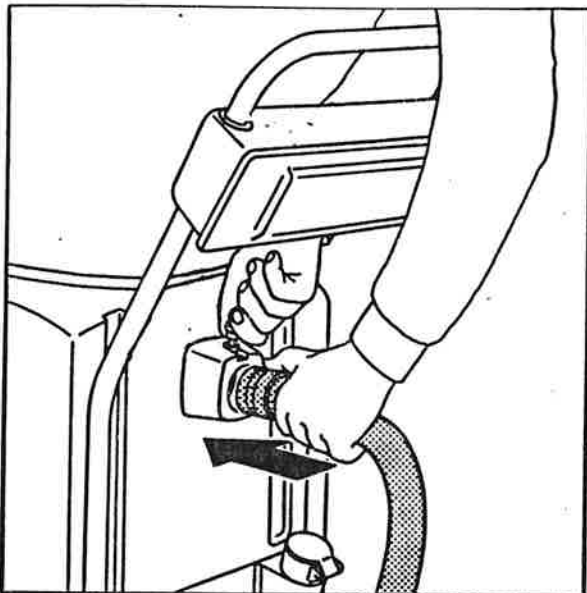
3.1 HOOD DETAILS



The suction hood has an internal pocket suitable for collecting suctioned heavier material that could fall again on the soil.

The material is kept in this pocket. When finishing your job in this version, we advise you to empty the hood turning it up side down and throwing away the material in the pocket.

4. FLOOR WASHER-DRIER
(from sweeper version)

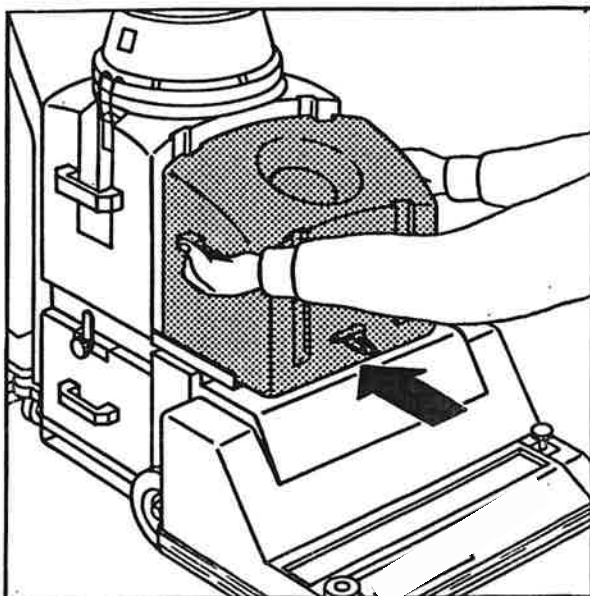


DISCONNECT THE MACHINE FROM MAINS

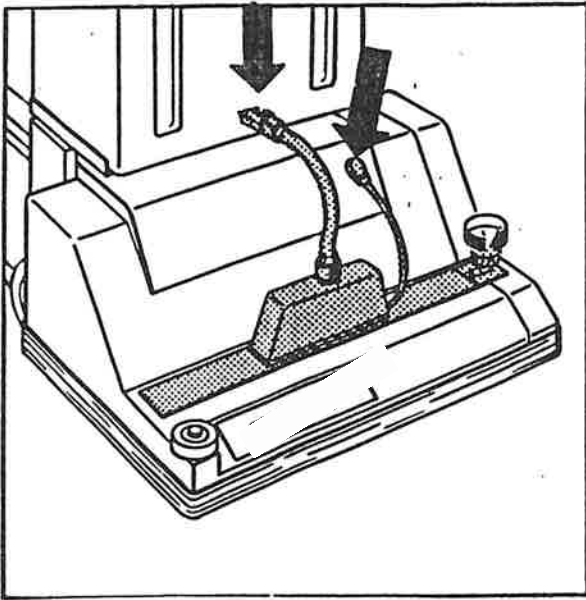
Unhook the suction head and take it away together with the filter and the suction hood. Empty the tank from materials inside and turn it with the pipe union towards the back of the machine. Fit the sleeve of the squeegee, replace the suction head and close the clamps.

Joint the plug of the suction head to the socket on the control box.

Fill the small tank with water and no foaming solution (suitable for floor cleaning machines) and place it on its guiding where it remains fixed by two magnets. Set the distributor where before there was the hood and fix it by the black handle. Connect the small tube for water to the tank. Fit the electrovalve jack into the small socket on the brushes group.

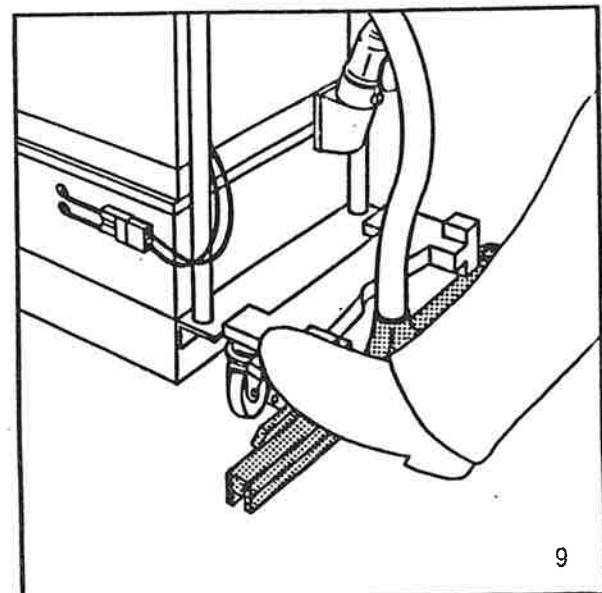
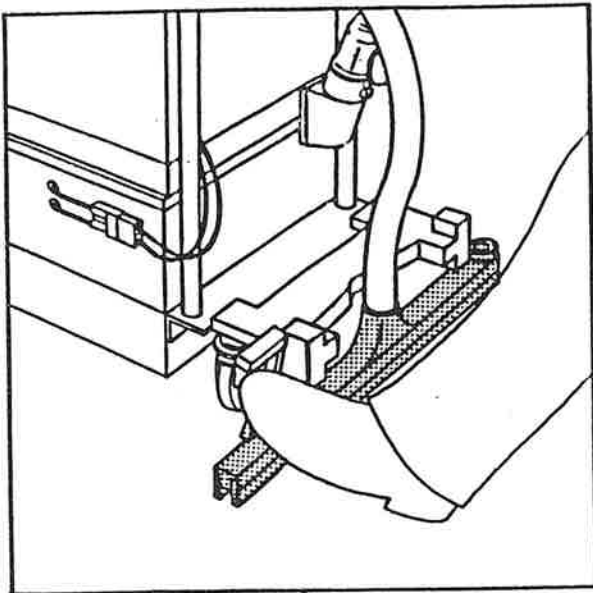


Connect the machine to mains and switch on the brushes motor. Press the orange button on the control box to let the water flow on the floor. Unhook the pedal of brushes so they can work on the floor. Begin to wash.



To suction dirty water unhook the squeegee.
To hook it again, press the other pedal.

The green light on the control box tells you that the electrovalve is open and the water flows. When it is off the water stops coming out and the electrovalve is closed. So you can control the flow by yourself. When your job is over, turn off the suction motor and hook the brushes. Let them turning freely for a few minutes so they can leave the water surplus and dry themselves.



5. VACUUM CLEANER (from sweeper, polisher and scrubber)

=====



If you bought the accessory set, you can use the suction head and the big tank as a simple dry vacuum cleaner.

6. WET VACUUM CLEANER

=====

STOPS ALL MOTORS

Take away the suction head and TAKE AWAY THE FILTER. Disconnect the flexible hose too for better emptying the tank. Clean the tank from materials that could have been fallen inside. Replace the suction head WITHOUT THE FILTER. Joint the flexible tube with the extension and the accessory that better fit your job. Plug in and switch on the suction group.

7. BATTERY GROUP

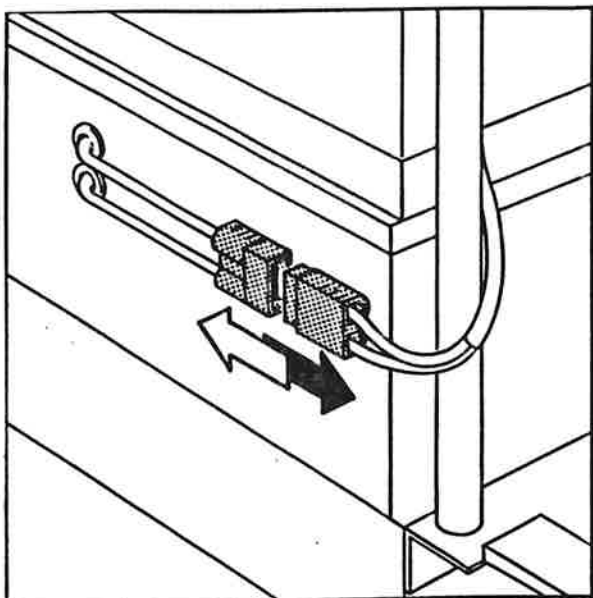
=====

The working time of our battery is 120 minutes. In many cases this is more than the time requested for ordinary cleaning activity. If you need more autonomy, you should have more groups.

A special appliance stops the machine after 120 minutes work. You must then change the groupe or recharge it. In this way the complete discharge of the batteries is avoided and they will have a long life.

8. SUBSTITUTION OF THE BATTERY GROUPE

=====

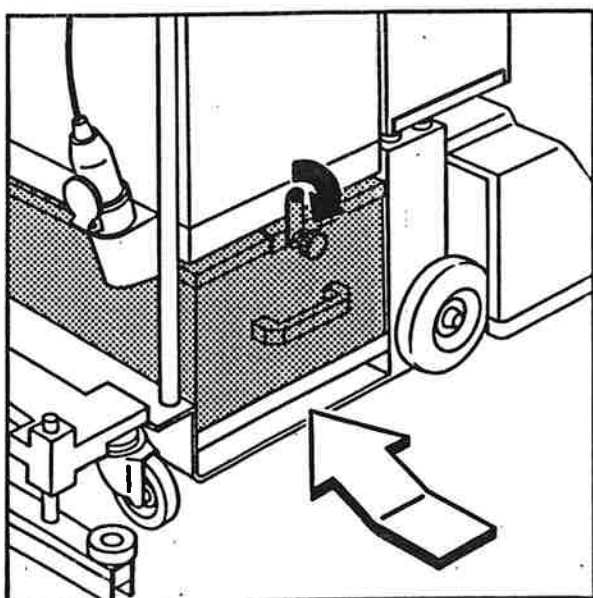


STOPS ALL MOTORS

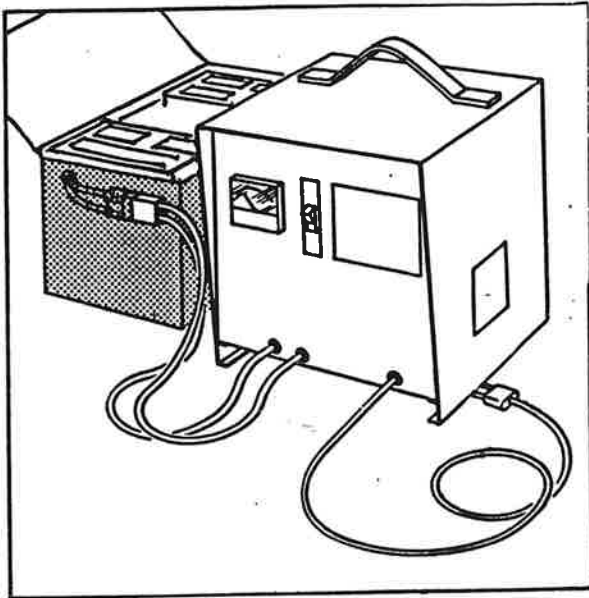
Disconnect the plug of the battery group. Turn upside the small handle that blocks the batteries. Handle the caster trolley and pull it outside.

To fit in, close the caster trolley to have wheels against the machine. Press lightly the handle and push the group forward. Lift it and let it completely slide it its seat. Block it by the small handle.

Connect the battery to the machine by the jack.

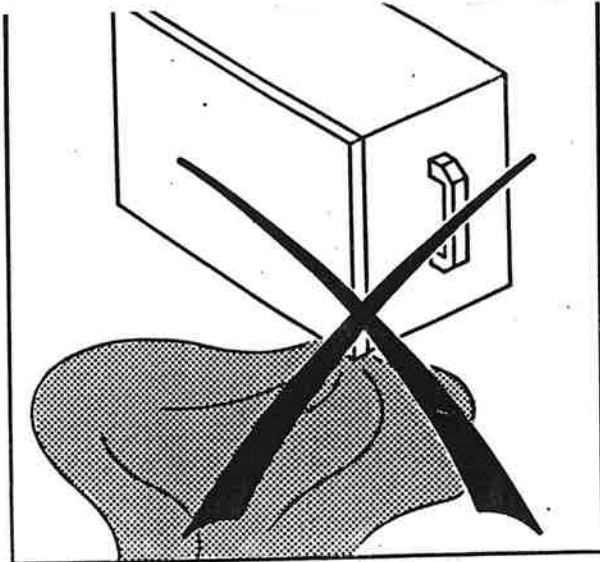


9. RECHARGING BATTERIES
=====



Recharge the batteries through a 24V automatic charger having 16Amp as maximum charger.

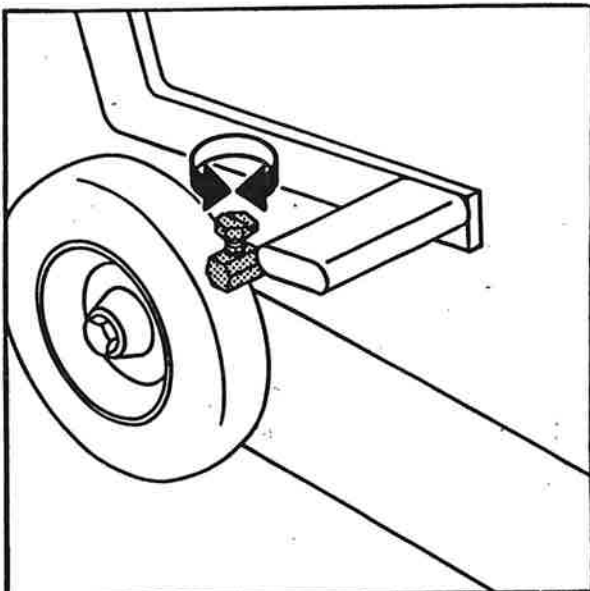
If you do not use the batteries for a long time, recharge them every now and then.



A T T E N T I O N

NEVER TURN UPSIDE DOWN THE BATTERIES GROUP

10. BRUSHES PRESSURE REGULATION
=====



If you need more pressure on brushes, you must regulate the screw that is under the pedal of the brushes group. Screw it and you have more pressure, unscrew to obtain less pressure.

10 RECHARGING THE BATTERIES

=====

Battery charging with battery charger installed on the machine.

To turn off the key.

Connect the battery charger cable to the electrical mains (voltage and frequency must be compatible with the battery charger value).

If the red warning light on the battery charger control panel stays on, the battery charger is charging the batteries.

When the green warning light turns on, the battery charging is completed.

Once the battery charging is completed, disconnect the battery charger cable from the electrical mains and wind it round its support.

The batteries are FREE maintenance.

If you do not use the batteries for a long time, 2 or 3 months, recharge them every now and then.

ATTENTION :

NEVER TURN UPSIDE DOWN THE BATTERIES GROUP !

NOTE :

For further information about the battery charger, see the related manual.

11. BRUSHES PRESSURE REGULATION

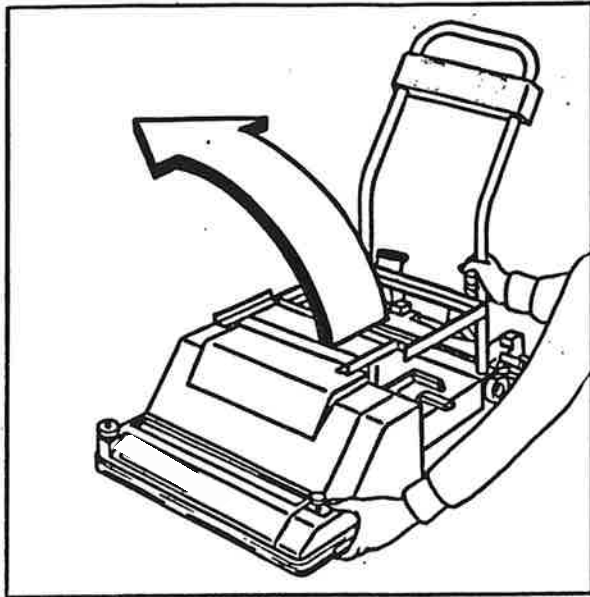
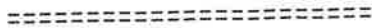
=====

STOPS ALL MOTOR

If you need more pressure on brusche, you must regulate the screw that is up the pedalo f the brusche group.

Unscrew it and you have more pressure or screw to obtain less pressure.

11. SUBSTITUTION OF BRUSHES

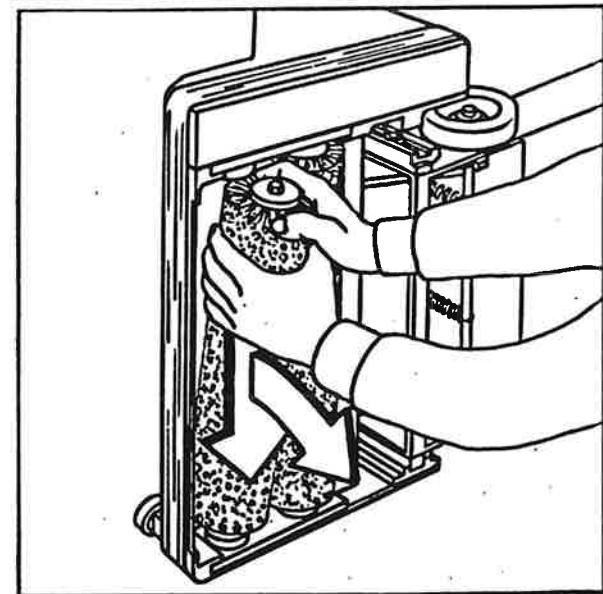
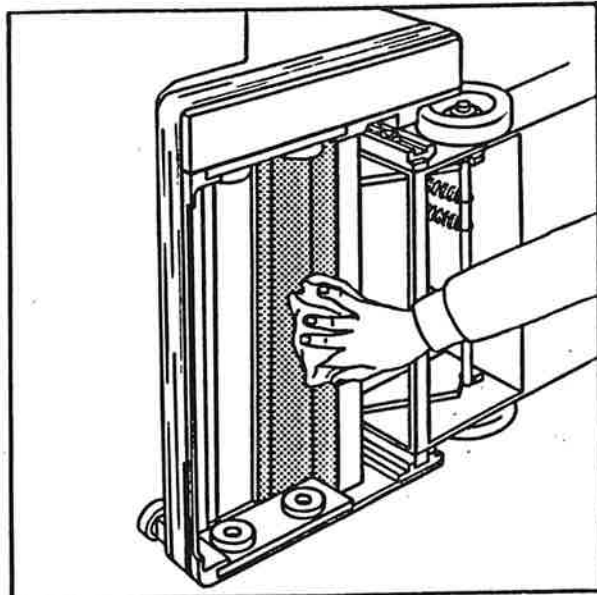


Light the machine taking off the suction head, the big and the small tank. Turn it on its side with pedals up.

To extract the brush, tight one in your hand, push it low and move it outside.

For setting the brush, you must be sure that its conical pivot is well placed in its seat on the lower side. Then press lightly and push the brush towards the machine, turning it. You'll hear a click that confirm your right doing.

When changing brushes, you should clean the inside part where they are placed. When changing work, be sure that the tank is empty and cleaned.



12. CAUTIONS

=====

This machine must only be used for the purpose for which it has been designed : for floor cleaning.

It is strictly forbidden to suction inflammable powder and/or liquids, explosive materials, lighted cigarettes-ends not well burnt-out.

Never suction electric cables, rags, nylon ropes that could roll up around brushes and block them with bad consequences to motors and gears.

Never leave the machine outside to adverse elements such as rain or snow, or on the sand.

Never leave the machine on a slope road.

Never drag it upstairs or downstairs. Lift it.

Never let the children play with the machine.

Work always with dry hands and shoes on.

Do not assemble part of the machine when this is working.

Do not climb the machine when this is working.

Do not climb the tank and/or the basin.

Do never mix up detergents. You could cause harmfulness and explosive exhalations. Read the label.

Never let the children play with detergents. Store them in a safe place.

Do not wash the cloth filter. Shake it.

Never use water jets on the machine.

13. MAINTENANCE

=====

When changing brushes, you should clean the inside part where they are placed.

When changing work, be sure that the tank is empty and cleaned.

We advise you to use suitable detergents for floor cleaning machines, and no foaming solutions.

NEVER USE ACIDS

NEVER USE CORROSIFS

NEVER USE WATER JETS

A special maintenance is not require. But take care of your machine and it will have a long life.

Ending your job take away the dry dirty material and shake the filter.

Empty the big tank and rinse it. Rinse the basin from detergent residue. Dust the body of the machine and the brush room.

Check the electrovalve filter to avoid obstruction.

14. ACCESSORY TOOLS

=====

SALLA offers a wide range of brushes, suitable for any demands and small tools to complete the job.

15. TROUBLESHOOTING

=====

BEFORE DOING ANY OPERATION ON THE MACHINE SWITCH OFF THE MOTORS

FAILURE	REASON	REMEDY
The machine does not work	<p>The key in OFF position</p> <p>The battery box is not it</p> <p>The batteries run down</p> <p>The battery box is not connected</p> <p>The fuse burnt</p>	<p>Turn the key in ON position</p> <p>Fit in the battery box</p> <p>Use a full charge battery</p> <p>Connect the battery box</p> <p>Replace it with a similar one</p>
The batteries run down quickly	<p>Batteries not completely recharged.</p> <p>The batteries have been for to much time in stoppage (4/5 months)</p>	<p>Recharge again the batteries</p> <p>Call the technical service</p>
The clean area is not homogeneous.	<p>The brushes do not adhere to the floor</p> <p>The brushes group is unbalanced</p> <p>Foreign bodies on brushes</p> <p>The brushes group do not adhere to the floor</p>	<p>Turn the screw to regulate the brusche pressure</p> <p>Call the technical service</p> <p>Take off impurities</p> <p>Call the technical service</p>
When using the machine as washer-dryer, the cleaned area is imperfect (presence of stripes, drops, etc.).	<p>The squeegee is lifted from the floor</p> <p>The rubbers blades are worn out</p> <p>The squeegee does not adhere correctly to the floor</p> <p>Foreign bodies on rubbers blades</p> <p>The suction pipe is obstructed</p> <p>The suction head is not well place on the tank</p> <p>The suction head is OFF</p>	<p>Let it adhere on the floor by pressing the pedal</p> <p>Replace them with two new ones</p> <p>Call the technical service</p> <p>Take off impurities</p> <p>Take off the pipe and clean into replace it</p> <p>Check it's right position on the tank</p> <p>Press the switch</p>

<p>After having swepted the area remains dusty</p>	<p>Filter very dirty Hood or pipe union or inside of the tank obstructed</p>	<p>Shake it vigorously Take off impurities</p>
<p>No water flows down or small flow on the brushes</p>	<p>There is not enough water in the basin The tap is close The detergent filter is obstructed Inside the basin The distributor pipe is clogged The electrovalve is OFF The fuse burnt The plug of electrovalve is not in</p>	<p>Add more water Turn on the tap Take off the filter and rinse it Take off the distributor and rinse it vigorously Press the switch Replace it with a similar one Plug it in</p>

For any questions, advice on clearing, call the point of sale.

Postadress:

TRÄDGÅRDSTEKNIK AB
Helsingborgsvägen 578, Varalöv
262 96 ÄNGELHOLM

Telefon : 0431-222 90
Bg.nr : 5743-7980
Org.nr : 556409-6120

URL:

www.tradgardsteknik.se
E-postadress:
info@tradgardsteknik.se